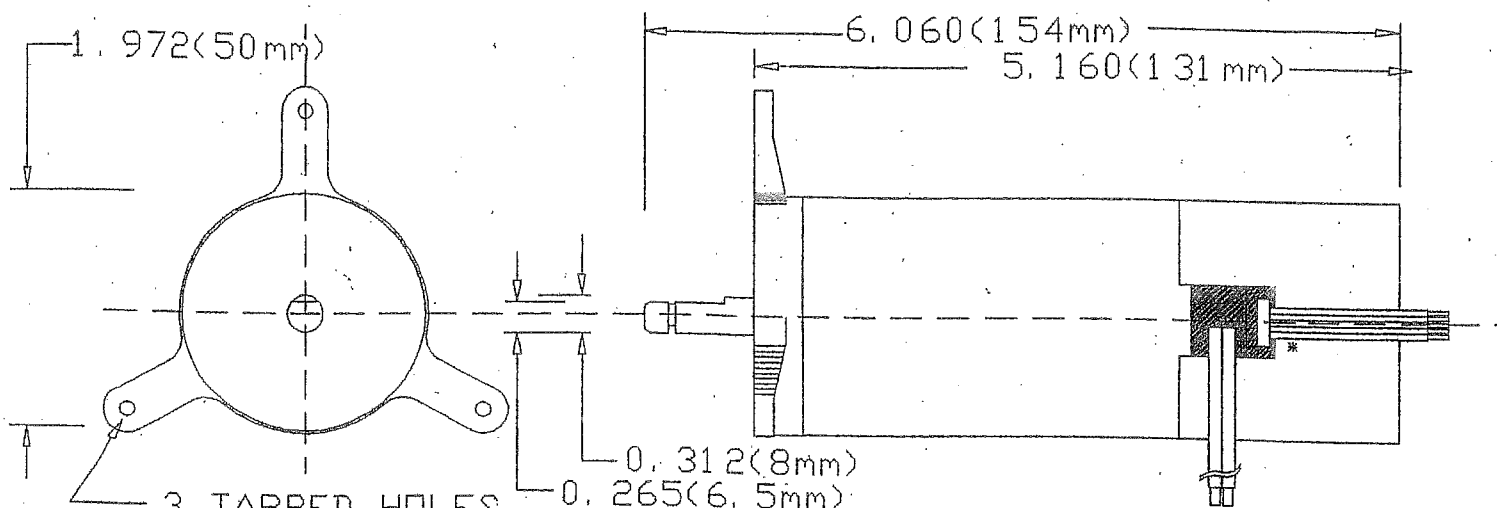


SERVO SYSTEMS CO.
 STOCK NO. DM-663
 MATSUSHITA ELECTRIC LTD.
 P/N MPX-40C4WA



3 TAPPED HOLES
 METRIC SIZE 3
 ON A 3.3(84MM)
 BOLT CIRCLE

* DENOTES PIN 1 ON THE ENCODER PIN OUT CONNECTOR. PIN OUT READS FROM RIGHT TO LEFT.

MOTOR SPECIFICATION:	
RATED VOLTAGE:	24 VDC
NO LOAD SPEED:	3580 RPM
NO LOAD CURRENT:	0.300 AMPS

ENCODER SPECIFICATIONS:	
INPUT VOLTAGE:	5 VDC
ENCODER RESOLUTION:	500PPR
OUTPUT CONFIG.:	5 VOLT TTL
OUTPUT CHANNELS:	CHAN A, CHAN B

LAB TEST RESULTS:		
SPEED(RPM)	TORQUE(OZ IN)	CURRENT(AMPS)
3130	16	2
2470	33	3
1760	50	4
0530	67	5

ENCODER WIRING SPECIFICATIONS	
PIN 1:	CHAN B
PIN 2:	+5 VDC
PIN 3:	CHAN A
PIN 4:	OPEN
PIN 5:	COMMON